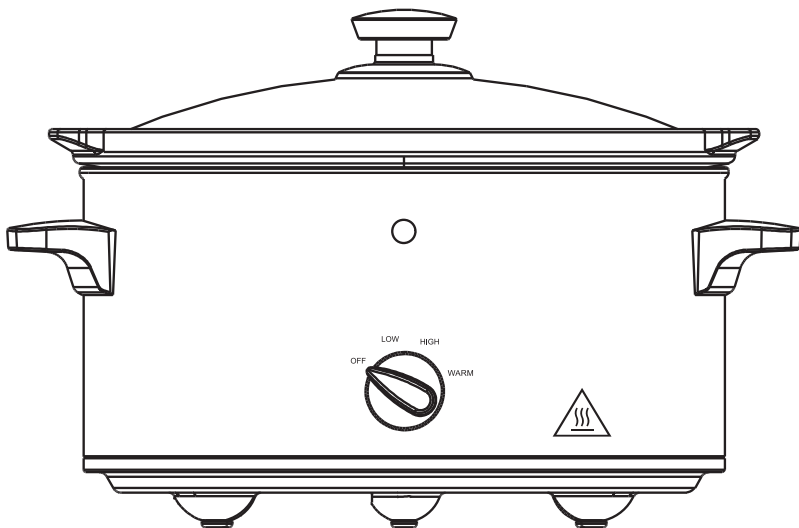


LIVING & CO[®]

Slow Cooker



INSTRUCTION MANUAL

MODEL: SRO8319

AFTER SALES SUPPORT

☎ NZ 0800 422 274

CONTENT

IMPORTANT SAFEGUARDS..... 1
Part Name 3
Operating4
General Cooking Advice..... 5
Approximate Cooking Times 5
Cleaning and Maintenance..... 6
Product Specifications 6
Environmental Protection..... 6

IMPORTANT SAFEGUARDS

Caution

For safety reasons and to avoid damage to the appliance or injuries to people, please abide by all the safety instructions below. Ignoring safety warnings may result in injuries.

This appliance does not take into consideration the following situations:

--- Use by children or disabled people without supervision;
--- children treating it as a toy.

1. Read all instructions.
2. This appliance is for household use only. Do not use outdoors.
3. This appliance can be used by children aged from 8 years and above and persons with reduced physical, sensory or mental capabilities or lack of experience and knowledge if they have been given supervision or instruction concerning use of the appliance in a safe way and understand the hazards involved.

Children shall not play with the appliance. Cleaning and user maintenance shall not be made by children unless they are older than 8 and supervised. Keep the appliance and its cord out of reach of children aged less than 8 years.

4. Unplug from outlet when not in use and before cleaning. Allow to cool before cleaning.
5. If the supply cord is damaged, it must be replaced by the manufacturer, its service agent or similarly qualified persons in order to avoid a hazard.
6. Children should be supervised to ensure that they do not play with the appliance
7. The use of accessory attachments not recommended by the appliance manufacturer may cause injury.

IMPORTANT SAFEGUARDS

Caution

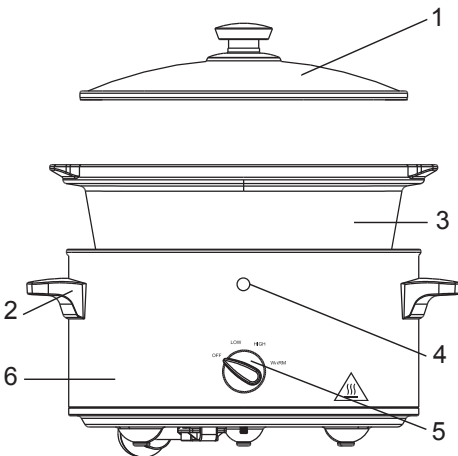
8. Please turn off and unplug the appliance before cleaning, maintenance or relocation and whenever it is not in use.
9. Do not let cord hang over edge of table or counter, or touch hot surfaces.
10. Do not place on or near a hot gas or electric burner, or in a heated oven.
11. Extreme caution must be used when moving an appliance containing hot food, water or other hot liquids.
12. Do not use the appliance for other than intended use.
13. Lift and open cover carefully to avoid scalding, and allow water to drip into unit.
14. To disconnect turn the control to OFF, then remove plug from wall outlet.
15. Containers are designed for use with this appliance only. They must never be used on a range top. Do not set a hot container on a wet or cold surface. Do not use a cracked container.
16. Do not immerse the appliance in water or any other liquid.
17. This appliance is intended to be used in household and similar applications such as:
 - staff kitchen areas in shops, offices and other working environments;
 - farm houses;
 - by clients in hotels, motels and other residential type environments;
 - bed and breakfast type environments.
18. Children shall not play with the appliance.
The surfaces of the appliance are liable to get hot during use.

IMPORTANT SAFEGUARDS

⚠ Caution

19. To protect against electrical shock, do not immerse cord, plug or appliance in water or other liquid.
20. The heating element surface is subject to residual heat after use, do not touch.
21. Warning: Misuse may cause potential injury
22. Do not touch hot surfaces. Use handles or knobs. Use potholders when removing cover or handling hot containers.
23. Do not place on or near a hot gas or electric burner, or in a heated oven.

Part Name



No.	Description
1	Glass lid
2	Handle
3	Removable bowl
4	Indicator light
5	Function switch
6	Cooker housing

Operating

1. Clean thoroughly before use.
2. Place the cooker housing on a stable, flat, heat resistant surface and away from surfaces that may be damaged by steam.
3. After making reference to the food safety and general cooking advice, place the ingredients to be cooked into the removable bowl. Heat liquids such as water and stock before adding to the bowl and do not fill to the brim.
4. Cover the bowl with the glass lid and place into the cooker housing.
5. Fully unwind the cable, plug in and switch on. For your safety do not allow the cable to dangle over the edge of units.
6. Using the function switch, select the cooking function of choice (the indicator light will illuminate) and if cooking times allow, select the HIGH setting in preference to the low setting.
Cooking food on HIGH will require less time than cooking at LOW.
The slow cooker can operate on LOW all day and night if required.
7. When the cooking is complete, select the WARM function to keep the food warm (maximum 4 hours) until it is ready to serve.
8. When ready to serve, turn the slow cooker off using the function switch.
The indicator light will extinguish.

Notes:

- **Before using for the first time, wash loose parts (removable bowl and lid) in hot water with a little washing up liquid. Rinse and dry thoroughly. Not suitable for the dishwasher.**

General Cooking Advice

1. When adding liquid or stock to the slow cooker is recommended that hot liquid is added to reduce the cooking time and to ensure that the slow cooker reaches the higher cooking temperatures more quickly.
2. Avoid lifting the glass lid during the cooking process as this breaks the seal formed around the lid and adds time to the cooking process.
3. Vegetables such as carrots, potatoes and turnips require longer cooking than many types of meat and should be cut into the smallest sizes practical. Place in the bottom or the sides of the bowl and cover with liquid.

General Cooking Advice

- Trim excess fat from meat, as the cooking method does not allow the fat to drain away.
- If adding fresh milk or yoghurt, this should be done in the final two hours of cooking. Evaporated milk may be added at the start of cooking.
- Rice, noodles and pasta are not recommended for long cooking periods. Cook them separately and then add to the slow cooker during the final 30 minutes.

Approximate Cooking Times

- The cooking times stated in the chart below give an approximate guide. For slow cooker recipes, techniques and specific cooking times consult a specialist recipe book.
- Browning meats before they are added to the slow cooker can reduce cooking times.

	Finished quantity (approx.)	Approximate cooking times (hr)	
		Low	High
Chicken soup (made with approx 1kg diced chicken):	2½ - 3 litres	8-10	6-8
Split pea soup	2½ - 3 litres	8-11	4-6
Minestrone soup	1½ - 2 litres	8-9	5-6
Beef casserole (made with approx 500g diced beef):	1 litres	8-10	6-7
Pork or lamb chops (6 thick chops):	2½ - 3 litres	8-10	6-8
Beef or lamb curry (made with approx 1.3kg diced meat): Beef 1.3 kg	1½ - 2 litres	8-11	6-8
Beef stroganoff (made with approx 1.3kg diced beef)	1½ - 2 litres	8-11	7-9
Porridge	1 litres	8-10	4-6
Baked apples (4 apples with 125ml water)	1½ - 2 litres	5-6	2-4
Mulled wine	2 litres	2-3	1-2

CLEANING & MAINTENANCE

Clean after each use.

1. Switch off and unplug the slow cooker and allow to cool completely.
2. Wash loose parts (removable bowl and lid) in hot water with a little washing up liquid. Rinse and dry thoroughly. Not suitable for the dishwasher.
3. Wipe the external surface of the slow cooker with a soft damp cloth and dry surfaces with a soft dry cloth. Do not use detergent or abrasives as these may scratch the surface. Never immerse the cooker housing in water.

Product Specifications

Product name	Model No.	Rated voltage	Rated frequency	Rated power	Capacity
Slow Cooker	SRO8319	220 - 240V~	50/60Hz	135 - 160W	3L

Environmental protection

Responsible Disposal

At the end of its working life, do not throw this product out with your household rubbish. Electrical and electronic products contain substances that can have a detrimental effect on the environment and human health if disposed of inappropriately. Observe any local regulations regarding the disposal of electrical consumer goods and dispose of it appropriately for recycling. Contact your local authorities for advice on recycling facilities in your area.

Please keep the original packaging carton and materials in a safe place. It will help to prevent any damage if the product needs to be transported in the future. In the event it is to be disposed of, please recycle all packaging material where possible.



LIVING & CO[®]

Warranty

We pride ourselves on producing a range of quality home appliances that are both packed with features and completely reliable. We are so confident in our products, we back them up with a 3 year warranty.

Now you too can relax knowing that you are covered.

Customer Helpline NZ: 0800 422 274

This Product is covered by 3 year warranty when accompanied by proof of purchase.